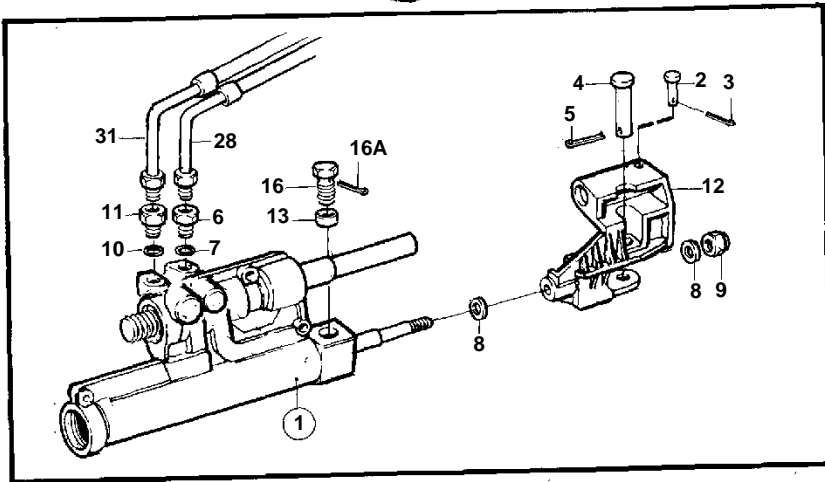
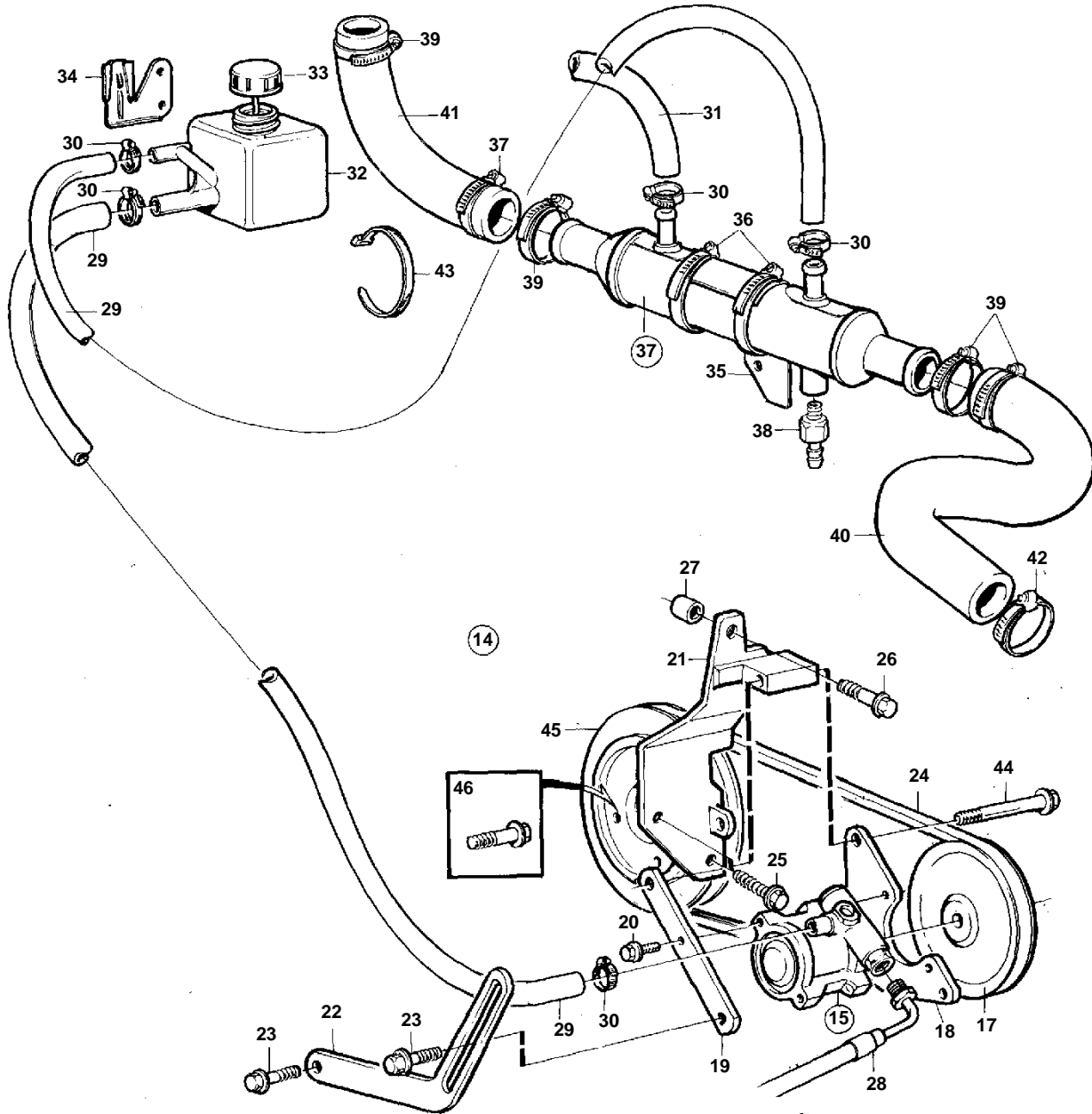


MD22P-B, TMD22-B, TAMD22P-B



16625

MD22P-B, TMD22-B, TAMD22P-B

REF	PART NO.	QTY	DESCRIPTION	NOTES
1	3860884	1	Steering cylinder	(3854879)
2	3853307	1	• Clevis pin	
3	3852255	1	• Cotter pin	
4	3853308	1	• Clevis pin	
5	3852255	1	• Cotter pin	
6	3853993	1	• Fitting	
7	3852587	1	• • O-ring	
8	3853305	2	• Washer	
9	3853306	1	• Nut	
10	3853994	1	• Fitting	
11	3852517	2	• • O-ring	
12		1	• Cylinder anchorage	
13	3852582	2	• Bushing	
14		1	Set, servo pump	
15	1359649	1	• Power steering pump • Comps. not spec.	
16	3850931	2	• Screw	
16A	3853376	2	• Cotter pin	
17	1378156	1	• Pulley	
18	860682	1	• Bracket	
19	860683	1	• Bracket	
20	946440	2	• Flange screw	
21	3580829	1	• Bracket	
22	859820	1	• Lever	
23	945444	2	• Flange screw	
24	978482	1	• V-belt	
25	946441	1	• Screw	
26	946329	1	• Flange screw	(973083)
27	842930	1	• Spacer sleeve	
28	872232	1	• Pressure hose	
29	941995	X	• Rubber hose	L=2,5m
30		5	• Hose clamp	
31	872217	1	• Hose	
32	6819752	1	• Reservoir	
33	1359625	1	• • Cover	
34	856768	1	• Bracket	
35	857253	1	• Bracket	
36	943478	2	• Clamp	
37	858541	1	• Radiator	
38	949918	1	• • Drain cock	
39	961669	5	• Hose clamp	
40	3580858	1	• Hose	Intake-oil cooler
41	3580959	1	• Hose	Sea water filter-oil cooler.
42	853548	2	• Hose clamp	
43	948211	5	• Strip clamp	
44	947790	1	• Flange screw	
45	3580881	1	• Pulley	
46	946671	4	• Flange screw	